



Model	ZTGTJZ03	ZTGTJZ04
Safe load	240kg	240kg
Extended platform safety load	100kg	100kg
Max number of personnel	2	2
E: Max platform height	3m	4m
Max Working height	5m	6m
A Overall length	1.44m	1.44m
B Overall width	0.76m	0.76m
D Overall height (guardrail not folded)	1.95m	2.03m
Overall height (folding guardrail)	1.59m	1.67m
C Work platform size (length×width)	1.29×0.7m	1.29×0.7m
F platform extension size	0.6m	0.6m
Min ground clearance (fold up/lift)	0.06/0.015m	0.06/0.015m
Wheelbase	1.05m	1.05m
Minimum turning radius (outer wheel/inner wheel)	1.35m/0.3m	1.35m/0.3m
Drive motor	2×24VDC/0.5kw	2×24VDC/0.5kw
Lifting motor	24VDC/0.8kw	24VDC/0.8kw
Travel speed (closed state)	4.0km/h	4.0km/h
Travel speed (lifting state)	0.5km/h	0.5km/h
UP and Down speed	4-6m/min	4-6m/min
Battery	2×12V/80Ah	2×12V/80Ah
Max Climb Capability	25%	25%
Max allowable working angle	2°/3°	2°/3°
Drive wheel	Φ230×80mm	Φ230×80mm
Front wheel	Φ230×80mm	Φ230×80mm
Total Weight	835kg	890kg
Price	5180	5280

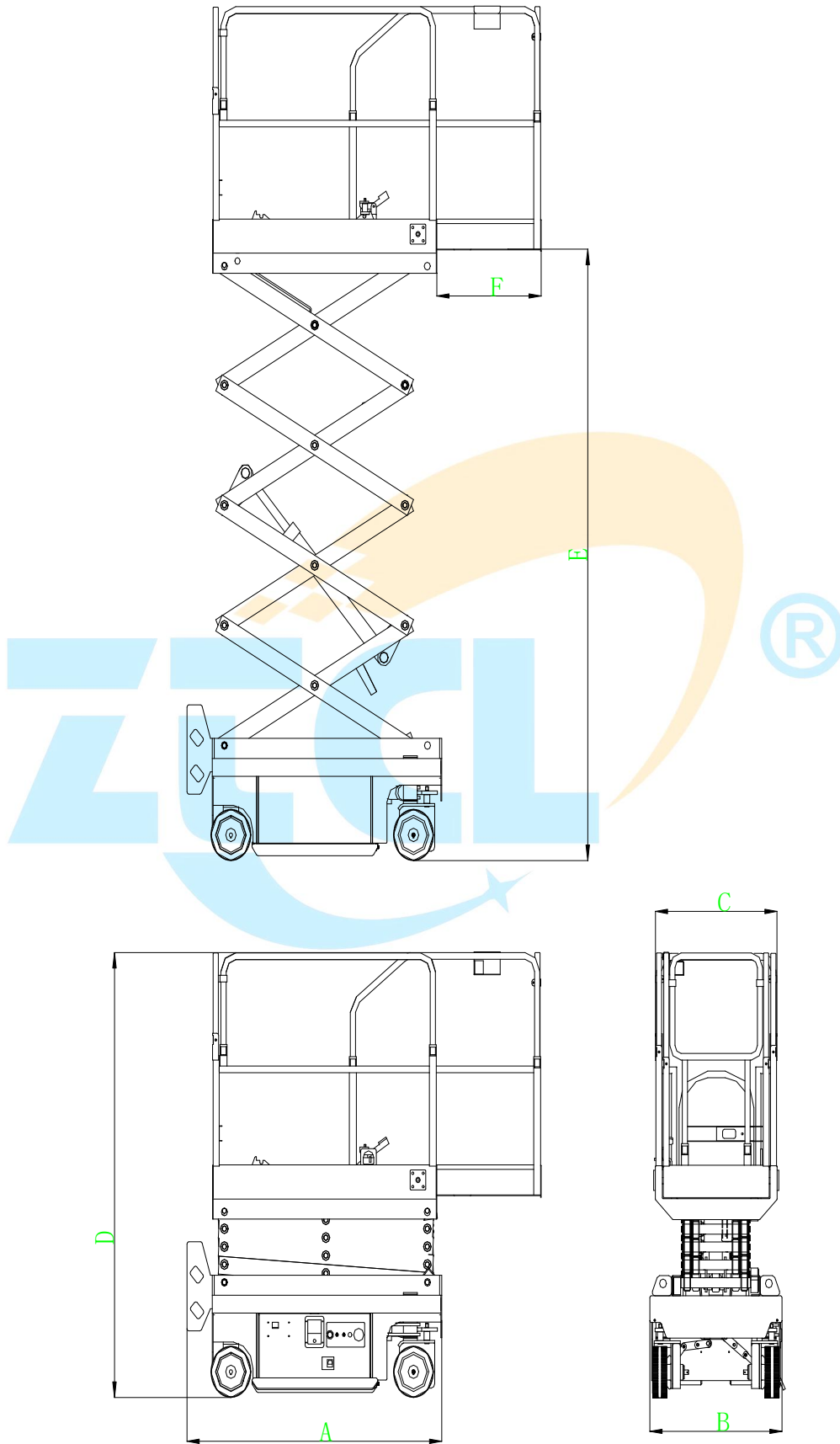


Product Material	
Security Fence	30*30 square tube
Table	3mm checkered plate
Strut	Moment tube 80*40*4
Chassis	3~16mm Tailored steel plate welding
Link pin	Wishbone pin ϕ 25mm
Hydraulic cylinder	Hebei Hengyu Φ 63/ ϕ 40 mm
Power battery	wanyang 2 \times 12v 80ah
Hydraulic oil	Summer 46# , winter 32#
Controller	LZCONTROL Leshan
Handle	LZCONTROL Leshan
Hydraulic power station	Anshan Lisheng
Driving wheel	Gilfors
Surface treatment	Shot blasting Spray

standard equipment	
1	Proportional control
2	Charging protection system
3	Automatic pit protection system
4	Emergency descent system
5	Folding fence
6	Platform self-locking door
7	Emergency stop button
8	Standard transport forklift hole
9	Extension platform
10	horn
11	fault diagnosis
12	Traceless tire
13	Safety maintenance support rod
14	Action beep
15	4 \times 2 drive
16	Tilt protection system



Drawing:





Product picture

